

> FR SERIES

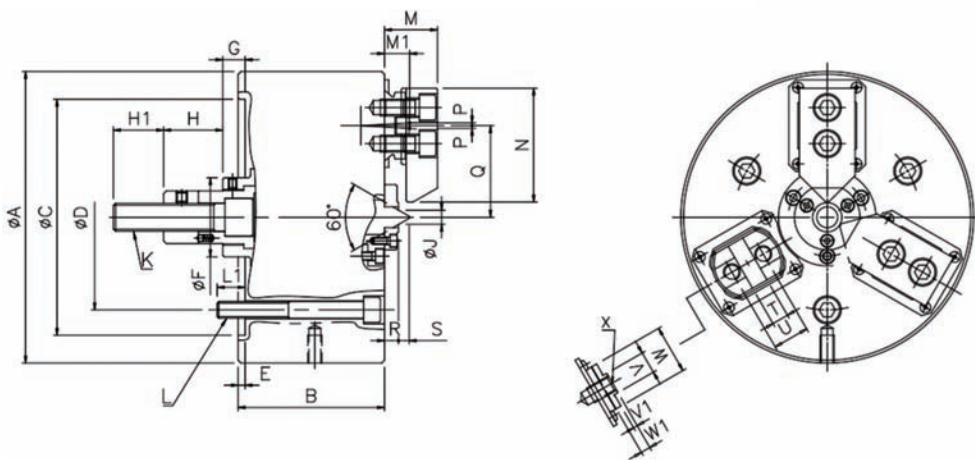
FR擺動補償型三爪夾頭

SWING COMPENSATION TYPE 3 JAW CHUCK



- ◎ 工件偏心補償量2mm，中心頂針定位，三爪擺動夾持工件。
- ◎ 適合鑄件及鍛件等原材料進行加工。
- ◎ 特殊密封圈，防塵及防切削液，使保養工作更加便利。
- ◎ 擺動機構零件均以合金鋼加以熱處理硬化及研磨，以提升產品使用壽命。

- ◎ The compensation for eccentric workpiece is 2mm, positioned by the core center, 3 jaw clamp the workpiece by swing way.
- ◎ Suitable for processing casting and forging parts.
- ◎ Special seal ring, dustproof and waterproof, easy maintenance
- ◎ Swing parts are hardened by heat treatment and ground.



型式 Model	楔心行程 Plunger stroke (mm)	爪行程(直徑) Jaw stroke (Dia) (mm)	最大夾持直徑 Max.clamping dia (mm)	最小夾持直徑 Min.clamping dia (mm)	最大容許油壓缸推力 Max. D.B. pull kN (kgf)	最大夾持力 Max. clamping force kN (kgf)	最高回轉數 Max RPM	l kg · m ²	重量 Weight (kg)	適用油缸 Matching Cylinder	補償量 Compensation (mm)
FR-08	20	8	65	18	19.6(2000)	53.0(5404)	2800	0.15	27	SNK-100	2
FR-10	25	10	90	22	29.4(3000)	67.7(6901)	2500	0.38	45	SNK-125	2

型式 Model	A	B	C(H6)	D	E	F	G max	G min	H	H1	J	K	L	L1
FR-08	210	105	170	133.4	5	57	26	6	42.5	36	10.4	M20x2.5	3-M12	20
FR-10	254	115	220	171.4	5.5	64	36.5	11.5	25	39	15	M20x2.5	3-M16	22.5

型式 Model	M	M1	N	P	Q max	Q min	R	S	T(H7)	U	V	V1	W	W1	X
FR-08	38	18	82	2	68	64	10	7.7	12	26	16	3	35	7	M12
FR-10	40	19	102	2.6	82	78	10	11.3	15	32	18	3	40	7	M14

* 保留技術更改的權利，恕不另行通知 Subject to technology changes without prior information
 * 非標需求可訂做 Non-standard requirements can be made